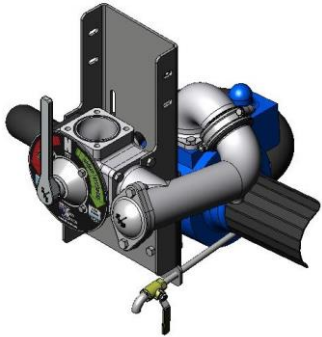




Safety Pumping Systems Pump System Kits

SPS pump systems provide a safe, simple driver friendly interface that improves driver safety and protects the environment. We don't make the pump. We encapsulate pumps from leading manufacturers into engineered pump systems, making them easy to install and safe to operate

Item #	Part Name
SPS100414	SPSZRS-V3N VANE SYS KIT

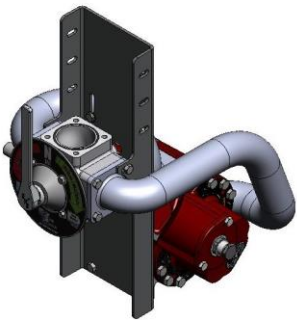


Select this model for refined liquid products in the combustible and flammable categories - Diesel, gasoline, avgas, alcohol, biodiesel, fuel additives, bulk lubricant oils, etc. and where high performance is required, up to 240 Gpm, truck mounted, curb side.

Compatible with 3 inch Blackmer TDX3E vane pump or equivalent.



Item #	Part Name
SPS100415	SPSZR-G4N GEAR SYS KIT

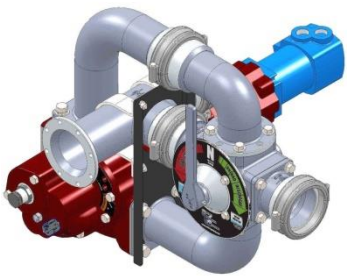


Select this model for unrefined or highly viscous liquid products in the combustible and flammable categories - Crude oil, fracking fluids, asphalts and tars where ultra-high performance is required, up to 400 Gpm, shaft or hydraulic drive, truck mounted, driver's or curbside.

Compatible with Roper 3648 family of 4 inch gear pumps or equivalent



Item #	Part Name
SPS100456	SPSZR-G4NTM GEAR SYS KIT



Select this model for unrefined or highly viscous liquid products in the combustible and flammable categories - Crude oil, fracking fluids, asphalts and tars where ultra-high performance is required, up to 400 Gpm, hydraulic drive, trailer mounted. Can be configured for driver's side or curbside operation.

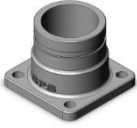
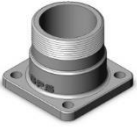

Compatible with Roper 3648 family of 4 inch gear pumps or equivalent

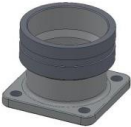
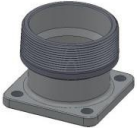






Safety Pumping Systems Optional Fittings




A wide range of pump system configurations are possible by selecting optional fittings for the inlet and outlet ports of the pump system.

	Item # SPS100052
	Part Name SPS30VG ALUM FLG X GRV 3 inch Victaulic Groove X Flange, Aluminum
	Item # SPS100026
	Part Name SPS30NPTM ALUM FLG X NPTM 3 inch Male NPT X Flange, Aluminum
	Call Part Name Crossover, 3 inch


	Item # SPS100416
	Part Name SPS40VG ALUM FLG X GRV 4 inch Victaulic Groove X Flange, Aluminum
	Item # SPS100418
	Part Name SPS40NPTM AL FLG X NPTM 4 inch Male NPT X Flange, Aluminum


	Item # SPS100420
	Part Name SPS40A ELBOW AL FLG X ADPT 4 inch Male Cam & Grv X Flange Elbow, Aluminum


	Item # SPS100002 (Truck Mount Sys) SPS100408 (Trailer Mount Sys)
	Part Name SPS 4-Way Valve, Aluminum

	Item # SPS100025
	Part Name SPS30A ALUM FLG X ADAPT 3 inch Male Cam & Grv X Flange, Aluminum
	Item # SPS100419
	Part Name SPS30TTF ELBOW ALUM FLG 3 inch TTF Round Flange X Flange Elbow, Aluminum
	Item # SPS100048 (Vane Crossover) SPS100086 (Extended Length)
	Part Name SPS30VG ELBOW AL FLG X GRV SPS30VGX ELBOW AL FLG X GRV

	Item # SPS100417
	Part Name SPS40A ALUM FLG X ADAPT 4 inch Male Cam & Grv X Flange, Aluminum
	Item # SPS100361
	Part Name SPS40VG ELBOW AL X GRV 4 inch Victaulic Groove X Flange Elbow, Aluminum

	Item # SPS100386
	Part Name SPS40NPTM ELBOW AL NPTM 4 inch Male NPT X Flange Elbow, Aluminum

	Item # SPS100385
	Part Name SPS40TTF ELBOW ALUM FLG 4 inch TTF Round Flange X Flange Elbow, Aluminum

	Item # Call
	Part Name Crossover, 4 inch